

# 東莞永力電業有限公司

## YUNG LI CO., LTD

Da Pu Industrial Zone, Gang Zi, Changping Town,  
Dong Guan City, Guangdong 523571 China.P.R.C

TEL:0769-83396797~8

FAX:0769-83396796

E-mail: sales@yung-li.com

Description: YP-61/YC-20

Customer: MAG

Parts No. : CB-15-UK

Draw No. :

### *REVISION RECORD*

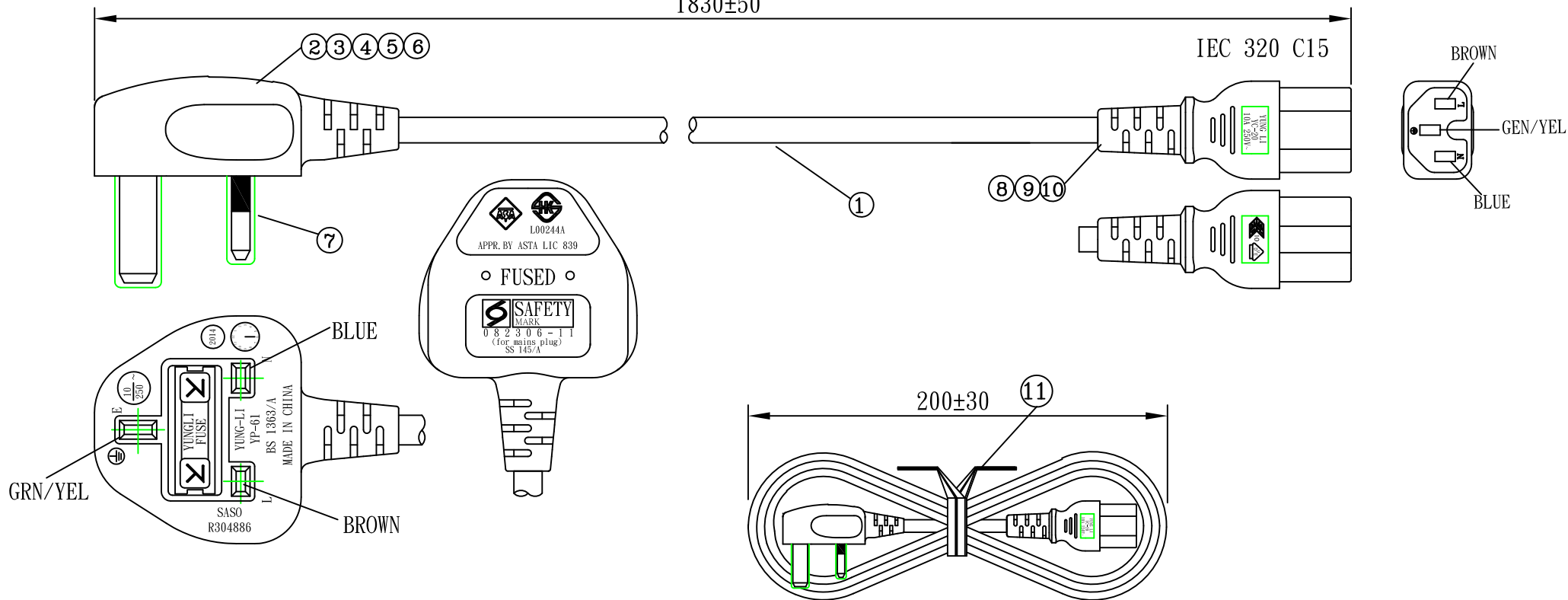
1		
2		
3		
4		
5		

YUNG LI	
CHECKED	PREPARED BY



CUSTOMER	APPROVED

MARKING: YP-61 YUNG-LI  $\frac{10}{250}$  BS1363/A   APPR. BY ASTA LIC 839  SASO R304886  0 8 2 3 0 6 - 1 1 (for mains plug) SS 145/A

1830±50



NO.	SPECIFICATION	Q' TY	REMARK
1	H05V2V2-F 3G 1.0mm <sup>2</sup> BLACK	1PC	
2	YP-61 PVC PLASTIC:60P BLACK	54g/PC	
3	FRAME: BLACK	1PC	
4	FUSE LID: BLACK	1PC	
5	FRAME LID	1PC	
6	FUSE:10A	1PC	
7	SLEEVE WHITE	1PC	
8	YC-20 INNER BODY	1PC	
9	TER:97740BS-0	3PCS	
10	YC-20 PVC PLASTIC:50P BLACK	18g/PC	
11	MINI TIE:L=130mm BLACK	1PC	

Tolerance >0±0.30 >1.0±0.50 >10.0±1.0 >20.0±2.0 Angle: ±1°	Approved		Date		<b>YUNG LI CO.,LTD</b>			
	Checked		Date					
	Drawn	Huangfang	Date	14.02.12	Customer	MAG		
	Cat. No.	YP-61/YC-20			P/N.	CB-15-UK		
	Drawing No.	CY-B0542		Rev.	B	Material	P. V. C	Unit
					Scale			

MARKING: YP-61 YUNG-LI

$\frac{10}{250}$

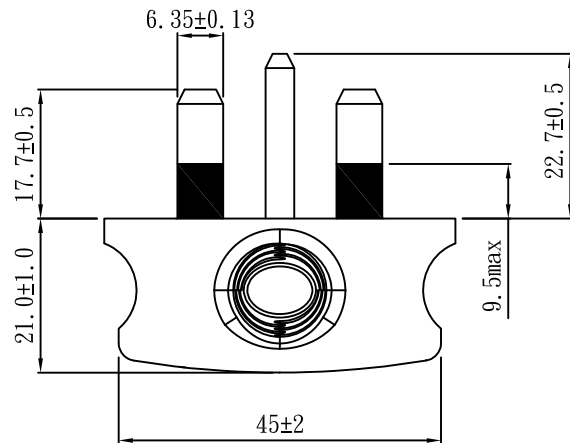
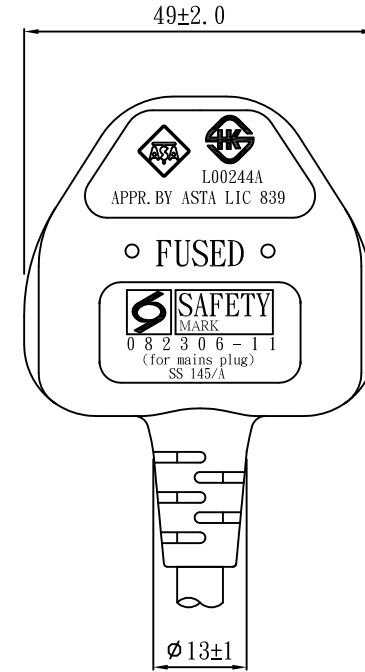
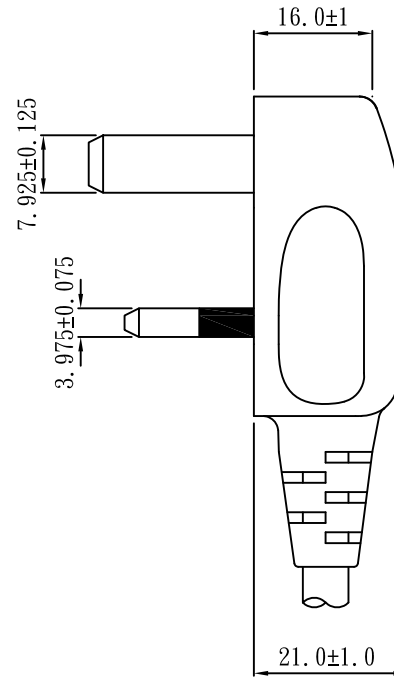
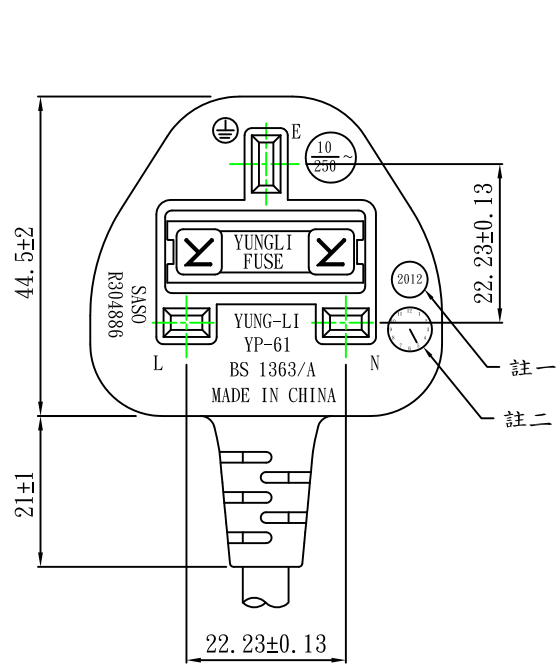
BS1363/A  
MADE IN CHINA



APPR. BY ASTA LIC 839



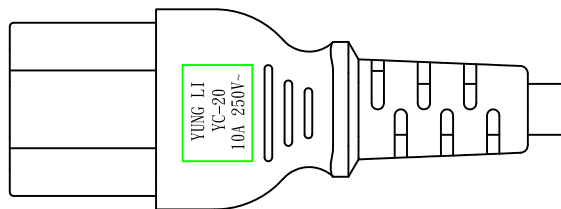
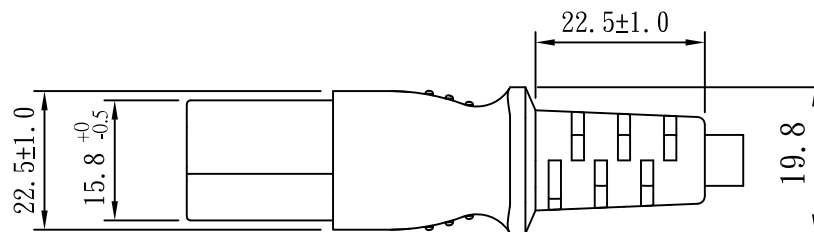
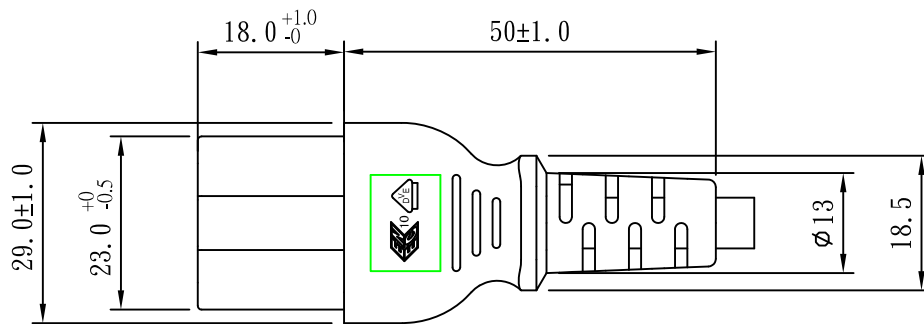
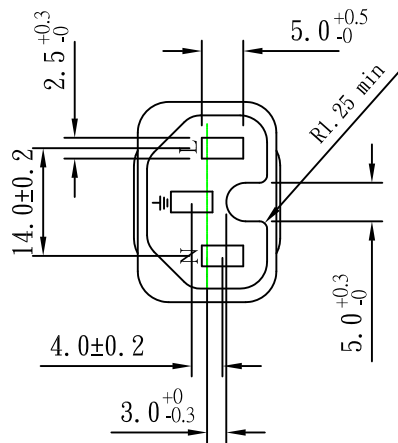
SASO  
R304886





note one:production of year.(must be changed every year)

note two:prodwction of month point(must be changed every month)

TOLERANCE >0±0.30 >1.0±0.50 >10.0±1.0 >20.0±2.0 Angle: ±1°	APPROVED		DATE		YUNG LI CO., LTD			
	CHECKED		DATE					
	DRAWN		DATE					
	TYPE	YP-61(10A)			P/N			
DRAWING NO.	CY-P61B10A	SCALE	1:1	UNIT	mm	P. V. C		



一般寸法公差: >0±0.30 >1.0±0.50 >10.0±1.0 >20.0±2.0 Angle: ±1°	核准		日期		東莞永力電業有限公司 YUNG LI CO., LTD.			
	審核		日期					
	制圖		日期					
型號	YC-20			料號				
圖號	CY-C20UB10A			材質	P.V.C	單位	mm	
				比例	1:1	 		

# YUNG LI CO., LTD

## SPECIFICATION

Yung Li	Style	PVC FLEXIBLE CORDS	Document No
2006.6.20			
Edition	Size	<b>H05V2V2-F 3G 1.0mm<sup>2</sup></b>	Page
A			1/2

1. Standard: IEC 227 IEC228

2. Construction & Dimension

	Item	Specification
Conductor	Size	3G 1.0mm <sup>2</sup>
	Material	Annealed Bare Copper
	Construction	32/ 0.202±0.01
Insulation	Material	PVC
	Minimum Average Thickness	0.60mm
	Minimum Thickness at any point	0.48mm
	Diameter	2.50 ± 0.10
	Identification	Blue,Brown, Yellow/Green
Core Assembly	Core Twist	3-Core
	Filler	NA
	Assembly Pair	NA
Taping	Mylar Foil	NA
Shielded	A1-Mylar Foil	NA
Drain	Material	NA
	Construction	NA
Jacket	Material	NA
	Minimum Average Thickness	0.8mm
	Minimum Thickness at any point	0.58mm
	Overall Diameter(Approx)	7.0± 0.15
	Color	Any Color

**Marking:**

YUNG LI H05V2V2-F 3G 1.0mm<sup>2</sup> <VDE> 60227 IEC 57

# YUNG LI CO., LTD

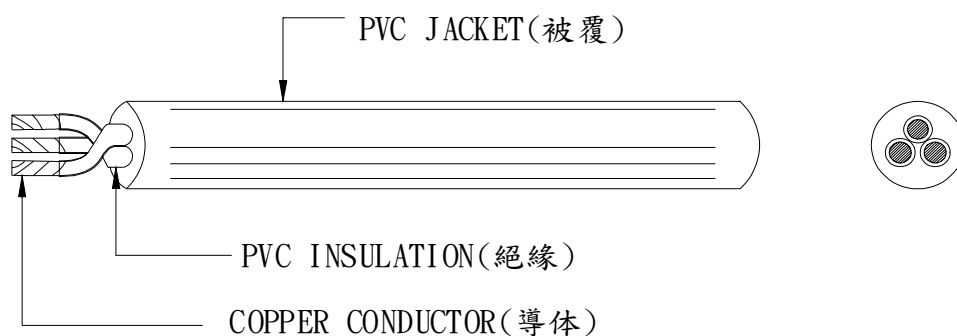
## SPECIFICATION

Yung Li	Style	PVC FLEXIBLE CORDS	Document No
2006.6.20			
Edition	Size	<b>H05V2V2-F 3G 1.0mm<sup>2</sup></b>	Page
A			2/2

### 4. Electrical & Physical Properties

Item	Specification		
Rating Voltage	90 300/500V		
Conductor resistance(AT 20 )	19.5 /Km MAX		
Insulation Resistance(AT 70 )	0.010M /Km Min		
Dielectric Strength	AC 2.0 KV / 15 min No Break		
Spark Test	5.0KV		
Insulation	Unaged	Tensile Strength	15N/mm <sup>2</sup> min
		Elongation	150% Min
	Aged	Tensile Strength	80~120% (135 x336hrs)
		Elongation	80~120% (135 x336hrs)
	Loss of mass Test		2.0mg/cm <sup>2</sup> (max)
	Jacket	Unaged	Tensile Strength
Elongation			150% Min
Aged		Tensile Strength	80~120% (135 x336hrs)
		Elongation	80~120% (135 x336hrs)
Loss of mass Test		2.0mg/cm <sup>2</sup> (max)	
Deformation Test		70±4 X 1hr 50%	
Cold Bend Test		-15 x 1hr No Crack	
Heat Shock Test		150±2 x 1hr No Crack	

### Graph:





# ASTA Licence



**Intertek**

The ASTA Diamond Mark is a symbol of electrical safety. It provides evidence for customers and authorities that Intertek has independently tested and certified the product's compliance to applicable safety standards, also that Intertek monitors production and testing to ensure subsequent production continues to comply with stated standards.

This Licence is valid until the review date or earlier if preceded by the withdrawal of the Approval Standard or otherwise withdrawn by the Certification Body. Current validity status can be confirmed by contacting: Intertek  
Hilton House,  
Corporation Street,  
Rugby, CV21 2DN  
United Kingdom  
Tel: +44 (0)1788 578435  
asta@intertek.com

Details of Approved variants, components and sites are given on Endorsements to this Licence (2 pages)

This Licence authorises use of the

## ASTA Diamond Mark

Licence No. 839

### Organisation:

### Yung-Li Company Limited

1F, No. 10, Lane 235, Pao Chiang Road, Hsin Tien 231, Taipei, Taiwan, R.O.C.

### Product:

### Designation:

Colour(s):  
250 Volts a.c. 50 Hz  
Non-rewirable  
Solid brass pins

### Fused Plug

### YP-61

Black, White & Grey  
13 Amperes  
Rough use (BS1363/A)  
Solid moulded-on construction

### Approval Standard:

BS 1363-1: 1995  
Incorporating Amendment Nos. 1, 2 & 3

### Issue number:

4

### Review date:

30<sup>th</sup> November 2014

### Factory Reference:

LQ-494

R W Hayward

Name

Signature

19<sup>th</sup> March 2013

Date



010

# KINGDOM OF SAUDI ARABIA

**Product Conformity  
Programme**

**Statement for Registration**

PCP ref. No. : **KSA R-304886/6**

## Revision

Issued to: Yung Li Co., Ltd.  
Da Pu Industrial Zone, Gang Zi Chang Ping Town  
Dongguan 523571  
Guangdong  
China

Product: II-35 – Main Plugs, Socket Outlets and Adapts

Brand Name: YUNG-LI

Model/Type: See appendix ( 1 page)

Applicable standards/references: SASO 2203:2003

Additional Information: Subscription Date: 18 November, 2014

Issued by:  
Intertek Hong Kong Office



---

Joey Kar  
Intertek CO/RLC Manager



This Statement for Registration is for the exclusive use of Intertek's Client and is provided pursuant to the agreement between Intertek and its Client. Intertek's responsibility and liability are limited to the terms and conditions of the agreement. Intertek assumes no liability to any party, other than to the Client in accordance with the agreement, for any loss, expense or damage occasioned by the use of this Statement for Registration. Only the Client is authorized to permit copying or distribution of this Statement for Registration and then only in its entirety. Any use of the Intertek name of the sale or advertisement of the tested material, product or service must first be approved in writing by Intertek.



**Appendix to Statement for Registration**

**ICCP Ref. No. :** KSA R304886/6  
**Issued:** 21 November 2013  
**Product:** II-35 Mains Plugs, Socket Outlets and Adapters

<b>Model/Type</b>	<b>Information</b>	<b>Review Date if Verified</b>
YP-61	FUSED PLUG, NON-REWIRABLE 250V 13A	18-November-2016

Subscription Date: 18 November, 2014



PSB Singapore

THE SINGAPORE CONSUMER PROTECTION  
(SAFETY REQUIREMENTS) REGISTRATION SCHEME

## CERTIFICATE OF CONFORMITY (COC)

TO: LCT (RS Code)  
Mr Ow Yeow Bung  
Lacerta Pte Ltd  
Blk 214, Serangoon Avenue 4, #01-88  
Singapore 550214

Date of Certification : 25 November 2008

Date of Expiry : 24 November 2014

Certificate Number : 082306-11

Dear Sir/Madam,

We certify that the following controlled goods complied with the Mandatory Requirements of the Singapore Consumer Protection (Safety Requirements) Registration Scheme:

Description of controlled goods: 3-Pin Non-Rewirable Plug

Trade Name: YUNG LI

Model Number: YP-61

Country where controlled goods are likely to be manufactured: China

Test report number: 55S052586/MLM/PKS

Testing laboratory: PSB Corporation Pte Ltd

Tested according to: SS 145 : Part 1 : 1997

David Sim

TÜV SÜD PSB

**Important Notice:**

No controlled goods can be supplied in Singapore unless they are registered with the Safety Authority. Please access [www.spring.gov.sg/safety](http://www.spring.gov.sg/safety) for registration procedure.



香港安全認證中心

The Hong Kong Safety Institute Ltd

# HONG KONG SAFETY MARK LICENSE

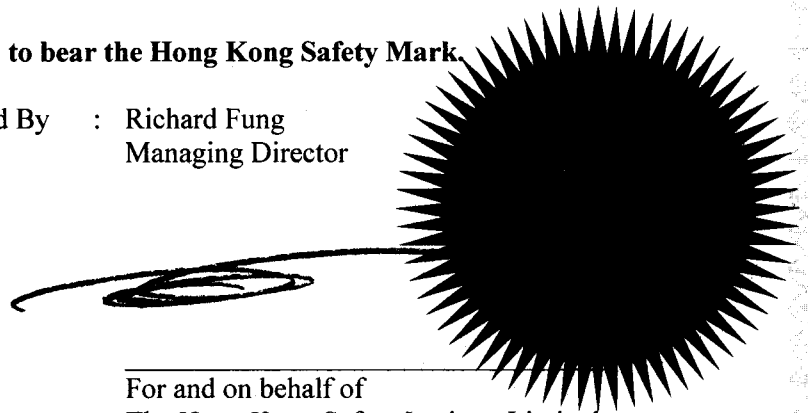
License Number : L00244A

Date of Issue : 2011-06-15

Issued To : Yung Li Co. Ltd.  
1<sup>st</sup> Floor, No. 10 Lane 235  
Pao-chiao Road, Sin-Tien City 231  
Taipei, Taiwan

The products listed below are eligible to bear the Hong Kong Safety Mark.

Issued By : Richard Fung  
Managing Director



For and on behalf of  
The Hong Kong Safety Institute Limited

**Product Category**

Wiring Accessories

**Product Description**

Non-rewirable fused plugs molded on power cord with/without connector

**Type/Models**

[Brand Name : Yung Li]

YP-60 without connector	YP-60 with connector YC-13
YP-60 with connector YC-12	YP-60 with connector YC-14
YP-61 without connector	YP-61 with connector YC-13
YP-61 with connector YC-12	YP-61 with connector YC-14

**Applicable Standard(s) / Requirements**

- |                                    |  |
|------------------------------------|--|
| BS1363 Part 1:1995+<br>Amendment 1 | - 13A Plugs, socket-outlets, adaptors and connection units. Part 1 Specification for rewirable and non-rewirable 13A fused plugs |
| IEC60320-1:2001                    | - Appliance couplers for household and similar general purposes - Part 1 General requirements.                                   |

*The use of this License is governed by the Hong Kong Safety Mark Regulations and any other requirement and Regulations accompanying this License when Issued, as amended from time to time.*

*This License is the property of The Hong Kong Safety Institute Limited and must be returned upon request.*

Original Certification : 2005-04-29

Expiry : 2014-06-30

Cat. [III]

香港新界大埔汀角路57號太平工業中心第一座10樓B室

Factory B, 10/F., Block 1, Tai Ping Industrial Centre, No. 57 Ting Kok Rd., Tai Po, N.T., Hong Kong.

Tel: (852) 2661 2083

Fax: (852) 2661 3181

Homepage: www.hk-si.com

Email: hksi@hk-si.com

## ZEICHENGENEHMIGUNG MARKS APPROVAL

Yung-Li Co. Ltd.  
Da Pu Industrial Zone, Cang Zi  
Chang Ping Town  
523571 DONG GUAN CITY  
Guangdong  
CHINA

ist berechtigt, für ihr Produkt /  
is authorized to use for their product

Gerätesteckdose, nicht-wiederanschließbar  
Connector, non-rewirable

die hier abgebildeten markenrechtlich geschützten Zeichen  
für die ab Blatt 2 aufgeführten Typen zu benutzen /  
the legally protected Marks as shown below for the types referred to on page 2 ff.



Geprüft und zertifiziert nach /  
Tested and certified according to

DIN EN 60320-1 (VDE 0625-1):2008-05; EN 60320-1:2001 + A1:2007  
IEC 60320-1(ed.2);am1



Aktenzeichen: 1609805-1550-0019 / 164049  
File ref.:

VDE Prüf- und Zertifizierungsinstitut GmbH  
VDE Testing and Certification Institute  
Zertifizierungsstelle / Certification

Ausweis-Nr. 40035051 Blatt 1  
Certificate No. Page

Weitere Bedingungen siehe Rückseite und Folgeblätter /  
further conditions see overleaf and following pages

Offenbach, 2012-05-22

VDE Zertifikate sind nur gültig bei Veröffentlichung unter:  
VDE certificates are valid only when published on:

<http://www.vde.com/zertifikat>  
<http://www.vde.com/certificate>

Name und Sitz des Genehmigungs-Inhabers / *Name and registered seat of the Certificate holder*  
Yung-Li Co. Ltd., Da Pu Industrial Zone, Cang Zi, Chang Ping Town, 523571 DONG GUAN CITY,  
Guangdong, CHINA

Aktenzeichen / *File ref.*  
1609800-1550-0019 / 164049 / FG31 / E

Datum / *Date*  
2012-05-22

Dieses Blatt gilt nur in Verbindung mit Blatt 1 des Zeichengenehmigungsausweises Nr. 40035051  
*This supplement is only valid in conjunction with page 1 of the Certificate No. 40035051.*

**Gerätesteckdose, nicht-wiederanschließbar**  
**Connector, non-rewirable**

Typ(en) / *Type(s)*:

- 1) YC-20
- 2) YC-20L

Bemessungsspannung AC 250 V  
*Rated voltage*

Bemessungsstrom 10 A  
*Rated current*

Polzahl 2-polig mit Schutzkontakt  
*Number of poles 2-pole with earthing contact*

Bauart Normblatt C15  
*Kind of construction standard sheet C15*

Höchstzulässige Temperatur max. 120°C  
*Maximum allowable temperature*

Warenzeicheninhaber Yung-Li Co. Ltd.  
*Trademark holder*

Produktinformation siehe Anlage Nr. 300 + 400 + 900  
*Product information see Appendix No. 300 + 400 + 900.*

PAK Das Produkt entspricht den Anforderungen gemäß  
PAK-Dokument ZEK 01.2-08.

PAH *The product is in accordance with the requirements of*  
PAH-dokument ZEK 01.2-08.

Fortsetzung siehe Blatt 3 /  
*continued on page 3*



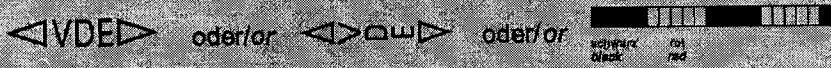
# VDE Prüf- und Zertifizierungsinstitut

## ZEICHENGENEHMIGUNG MARKS APPROVAL

Yung-Li Co. Ltd.  
Da Pu Industrial Zone  
Chang Ping Town  
523571 Dong Guan City  
Guangdong  
CHINA

Ist berechtigt, für ihr Produkt /  
is authorized to use for their product  
**Wärmebeständige flexible Leitung**  
**Heat-resistant flexible cable (cord)**

die hier abgebildeten markenrechtlich geschützten Zeichen  
für die ab Blatt 2 aufgeführten Typen zu benutzen /  
the legally protected Marks as shown below for the types referred to on page 2 ff.



Geprüft und zertifiziert nach /  
Tested and certified according to

DIN VDE 0281-12 (VDE 0281 Teil 12):2003-02; HD 21.12 S1:1994 + A1:2001



Aktenzeichen: 1609800-5140-0012 / 115358

File ref.:

Ausweis-Nr. 40026715

Blatt 1

Certificate No.

Page

Weitere Bedingungen siehe Rückseite und Folgeblätter /  
further conditions see reverse and following pages

Offenbach, 2009-02-27

VDE Prüf- und Zertifizierungsinstitut GmbH  
Testing and Certification Institute  
Zertifizierungsstelle / Certification

VDE Zertifikate sind nur gültig bei Veröffentlichung unter:  
VDE certificates are valid only when published on:

<http://www.vde.com/zertifikat>  
<http://www.vde.com/certificate>



**VDE Prüf- und Zertifizierungsinstitut  
Zeichengenehmigung**

Ausweis-Nr. / Blatt /  
Certificate No. page  
40026715 2

Name und Sitz des Genehmigungs-Inhabers / *Name and registered seat of the Certificate holder*  
Yung-Li Co. Ltd., Da Pu Industrial Zone, Chang Ping Town, 523571 Dong Guan City, Guangdong,  
CHINA

Aktenzeichen / *File ref.*  
1609800-5140-0012 / 115358 / FG42 / STR

Datum / *Date*  
2009-02-27

Dieses Blatt gilt nur in Verbindung mit Blatt 1 des Zeichengenehmigungsausweises Nr. 40026715.  
*This supplement is only valid in conjunction with page 1 of the Certificate No. 40026715.*

**Wärmebeständige flexible Leitung  
Heat-resistant flexible cable (cord)**

Typ(en) / *Type(s):*

- H03V2V2-F 2...4 x 0,5...0,75 mm<sup>2</sup> +
- H03V2V2H2-F 2 x 0,5...0,75 mm<sup>2</sup> +
- H05V2V2-F 2...4 x 0,5...2,5 mm<sup>2</sup> +
- H05V2V2H2-F 2 x 0,5...1,0 mm<sup>2</sup> +

Firmenzeichen Trademark YUNG LI

- PAK Das Produkt entspricht den Anforderungen gemäß PAK-Dokument ZEK 01.2-08.
- PAH *The product is in accordance with the requirements of PAH-document ZEK 01.2-08.*

Dieser Zeichengenehmigungs-Ausweis bildet die Grundlage für die EG-Konformitätserklärung und CE-Kennzeichnung durch den Hersteller oder dessen Bevollmächtigten und bescheinigt die Konformität mit den genannten Normen im Sinne der **EG-Niederspannungsrichtlinie 2006/95/EG**.  
*This Marks Approval is the basis for the EC Declaration of Conformity and the CE Marking by the manufacturer or his agent and shows the conformity with the said standards as defined by the EC Low-Voltage Directive 2006/95/IEC.*

VDE Prüf- und Zertifizierungsinstitut GmbH  
*Testing and Certification Institute*  
Fachgebiet FG42  
Section FG42

**VDE Prüf- und Zertifizierungsinstitut  
Zeichengenehmigung**

Ausweis-Nr. / Beiblatt /  
Certificate No. Supplement  
40026715

Name und Sitz des Genehmigungs-Inhabers / *Name and registered seat of the Certificate holder*  
Yung-Li Co. Ltd., Da Pu Industrial Zone, Chang Ping Town, 523571 Dong Guan City, Guangdong,  
CHINA

Aktenzeichen / *File ref.*  
1609800-5140-0012 / 115358 / FG42 / STR

Datum / *Date*  
2009-02-27

Dieses Beiblatt ist Bestandteil des Zeichengenehmigungsausweises Nr. 40026715.  
*This supplement is part of the Certificate No. 40026715.*

**Wärmebeständige flexible Leitung  
Heat-resistant flexible cable (cord)**

**Fertigungsstätte(n)  
Place(s) of manufacture**

Referenz/*Reference*      Yung Li Co., Ltd.  
**30008928**                Da Pu Industrial Zone  
                                 523571 Chang Ping Town, Dongguan City  
                                 Guangdong  
                                 CHINA

VDE Prüf- und Zertifizierungsinstitut GmbH  
*Testing and Certification Institute*  
Fachgebiet FG42  
Section FG42